



21 : Engine with fittings B16F, B16F

460, 1995, B16F, MT5(JB-3), L.H.D, XLBLC173ESC644023, 644023

10/3/2008

PRINT

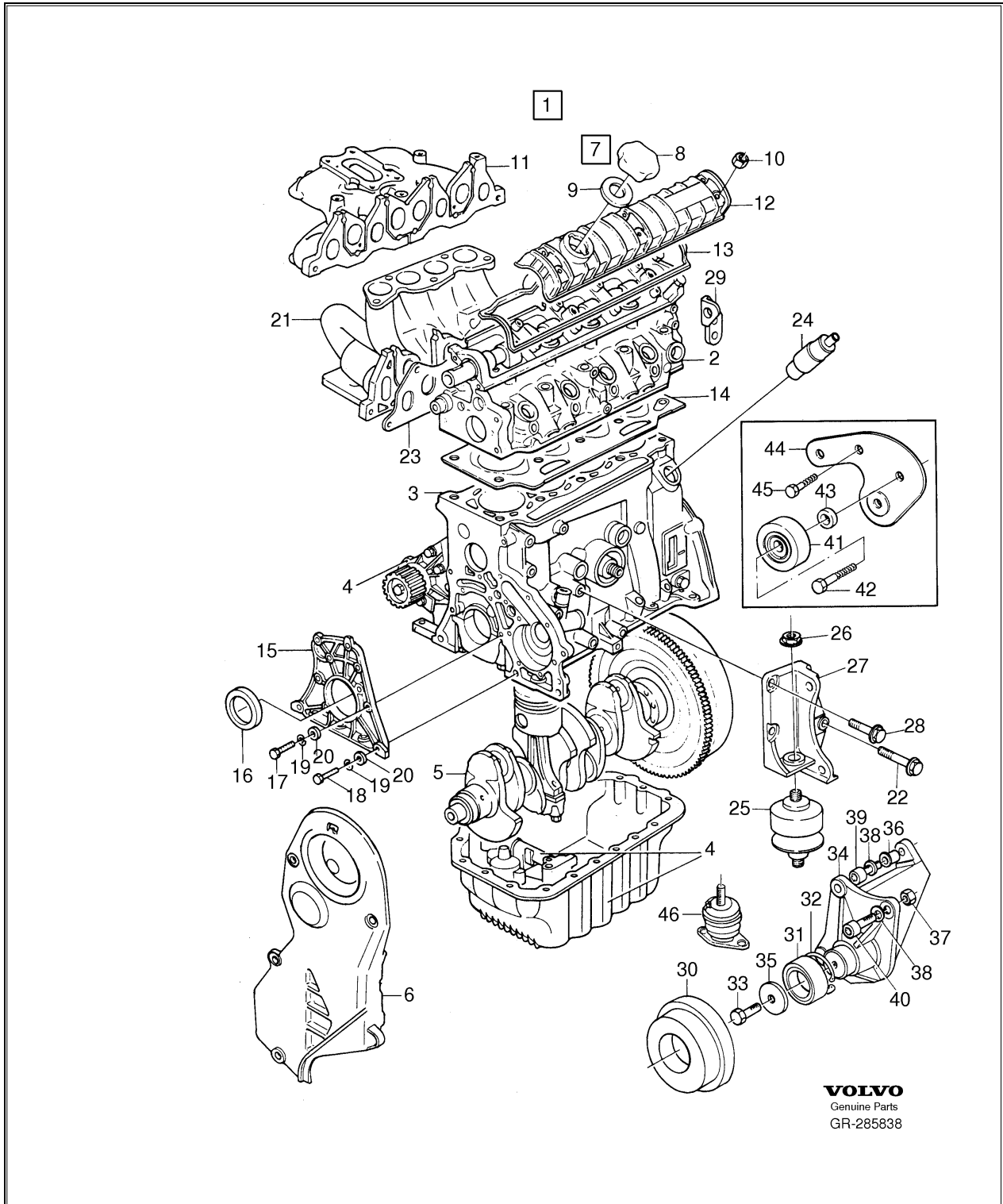


Fig.	Description	Qty.	PS	Part number
<input checked="" type="checkbox"/>	1 Engine			
<input checked="" type="checkbox"/>	Engines replacement engines B16F			
<input checked="" type="checkbox"/>	Engine, exchange unit			
<input checked="" type="checkbox"/>	Engines replacement engines B16F			
<input checked="" type="checkbox"/>	• Cylinder head			
<input checked="" type="checkbox"/>	••			
<input checked="" type="checkbox"/>	Cylinder head B16F			
<input checked="" type="checkbox"/>	• Cylinder block			
<input checked="" type="checkbox"/>	Engine block B16F			
<input checked="" type="checkbox"/>	• Lubricating system			
<input checked="" type="checkbox"/>	••			
<input checked="" type="checkbox"/>	Lubricating system B16F			
<input checked="" type="checkbox"/>	• crank mechanism			
<input checked="" type="checkbox"/>	•• -1993		XX	
<input checked="" type="checkbox"/>	Crank mechanism -1993 B16F			
<input checked="" type="checkbox"/>	•• 1994-		XX	
<input checked="" type="checkbox"/>	Crank mechanism 1994- B16F			
<input checked="" type="checkbox"/>	• belt transmission			
<input checked="" type="checkbox"/>	••			
<input checked="" type="checkbox"/>	Belt transmission B16F			
<input type="checkbox"/>	• Filler cap	1.00		3343337
<input checked="" type="checkbox"/>	•• Cover		NS	
<input checked="" type="checkbox"/>	•• Gasket		NS	
<input type="checkbox"/>	• Nut	6.00		3343730
<input type="checkbox"/>	M7, CH -225797			
<input type="checkbox"/>	• Flange nut	6.00		985919
<input type="checkbox"/>	M6, CH 225798-			
<input type="checkbox"/>	• Bolt	6.00	SP	3343727
<input type="checkbox"/>	M7, CH -225797, , REPL 1 PCS 3923330-9,, , 1 PCS 3923332-5.			
<input type="checkbox"/>	• Stop screw	6.00		3923330
<input type="checkbox"/>	M6, CH 225798-			
<input checked="" type="checkbox"/>	• induction and exhaust manifold			
<input type="checkbox"/>	• Valve housing	1.00	SP	3343729
<input type="checkbox"/>	REPL 1 PCS 3345100-6,, , 6 PCS 3923330-9,, , 6 PCS 3923332-5.			
<input type="checkbox"/>	• Gasket	1.00	SP	3343793
<input type="checkbox"/>	• Gasket	1.00		3453675
<input type="checkbox"/>	• Cap	1.00		30852038
<input type="checkbox"/>	(3287730)			
<input type="checkbox"/>	• Sealing	1.00		8414241
<input type="checkbox"/>	• Screw	7.00		8416195
<input type="checkbox"/>	• Screw	2.00		8416255
<input type="checkbox"/>	• Washer	9.00		3277986
<input type="checkbox"/>	• Washer	9.00		986480
<input checked="" type="checkbox"/>	• induction and exhaust manifold			
<input checked="" type="checkbox"/>	••			
<input type="checkbox"/>	Induction and exhaust manifold valve housing B16F			
<input type="checkbox"/>	22 Flange screw	1.00		988185
<input checked="" type="checkbox"/>	23 Gasket			

<input type="checkbox"/>	<input type="checkbox"/>	•	Induction and exhaust manifold valve housing B16F			
<input type="checkbox"/>	24		crankcase ventilation			
<input type="checkbox"/>			Crankcase ventilation B18EP,FP,B16F,B20F			
<input type="checkbox"/>	25		Engine pad MAN.TRANS/CVT	1.00		3417259
<input type="checkbox"/>			Engine pad AUTO.TRANS. -1992	1.00		3448414
<input type="checkbox"/>			Engine pad AUTO.TRANS. 1993-	1.00		3464177
<input type="checkbox"/>	26		Flange lock nut (949280)	2.00		985870
<input type="checkbox"/>	27		Engine bracket MAN.TRANS/CVT, , (3458970)	1.00		3472031
<input type="checkbox"/>			Engine bracket AUTO.TRANS., , (3472032)(3458652)	1.00		3472031
<input type="checkbox"/>	28		Flange screw	2.00		982818
<input type="checkbox"/>	29		Lifting eye	1.00		3343628
<input type="checkbox"/>			Lifting eye	1.00	OP	3343756
<input type="checkbox"/>	30		Pulley CH -60000	1.00	SP	3450992
<input type="checkbox"/>			Pulley CH 60001-656031, , (3453764)	1.00	SP	3473032
<input type="checkbox"/>			Pulley CH 656032-	1.00	SP	3485088
<input type="checkbox"/>	31	•	Bearing -1989	1.00	SP	3343997
<input type="checkbox"/>	32	•	Lock ring -1989	1.00		3343998
<input type="checkbox"/>	33		Hexagon screw (955318)	1.00		986999
<input type="checkbox"/>			Hex. socket screw, 6 track pulley CH 648862-	1.00		959243
<input type="checkbox"/>	34		Bracket -1989	1.00	OP	3449702
<input type="checkbox"/>			Bracket -1989, , (3453783)	1.00		3467220
<input type="checkbox"/>	35		Washer	1.00		3449703
<input type="checkbox"/>	36		Sliding sleeve	2.00		3417444
<input type="checkbox"/>	37		Flange lock nut (949279)	4.00		987891
<input type="checkbox"/>	38		Washer (3202817)	4.00		986483
<input type="checkbox"/>	39		Hex. socket screw	1.00		959243
<input type="checkbox"/>	40		Hex. socket screw	3.00		959241
<input type="checkbox"/>	41		Pulley, 6 track pulley CH 648862-	1.00	OP	3485335
<input type="checkbox"/>	42		Hex. socket screw, 6 track pulley CH 648862-	1.00		959243
<input type="checkbox"/>	43		Washer, 6 track pulley CH 648862-	1.00		3485352
<input type="checkbox"/>	44		Bracket, 6 track pulley CH 648862-	1.00		3485297
<input type="checkbox"/>	45		Screw, 6 track pulley CH 648862-	2.00		3920909

<input type="checkbox"/>	46	Engine pad MAN.TRANS/CVT	1.00	3451891
--------------------------	-----------	------------------------------------	-------------	----------------

10/3/2008

PRINT